



# POOL BREAKDOWN



## ROYAL RETREAT ~ PS 34' x 18' OVAL 52" RESIN TOP RAIL - RESIN VERTICAL

| √ | QTY | CARTON NUMBER | CARTON DESCRIPTION   |
|---|-----|---------------|----------------------|
|   | 1   | 5-9948-834    | ASSEMBLY PACK CARTON |
|   | 1   | 5-9860-725    | TOP RAIL PACK CARTON |
|   | 1   | 5-9806-725    | TOP RAIL PACK CARTON |
|   | 1   | 5-9714-604    | VERTICAL PACK CARTON |
|   | 1   | 5-XXXX-048    | SIDEWALL CARTON      |
|   | 2   | 0-8888-204    | SUPPORT BASE CARTON  |
|   | 2   | 0-8852-400    | SIDE SUPPORT CARTON  |
|   | 1   | 5-9999-410    | TOP CONNECTOR CARTON |
|   | 1   | 5-9999-412    | TOP CONNECTOR CARTON |
|   | 1   | 5-9110-834    | SKIRT PACK CARTON    |
|   | 1   | 5-9112-834    | SKIRT PACK CARTON    |



# CARTON BREAKDOWN

| ✓                                 | ITEM | QTY | PART NUMBER | DESCRIPTION                                  |
|-----------------------------------|------|-----|-------------|--|
| <b>ASSEMBLY PACK # 5-9948-834</b> |      |     |             |  |
|                                   | 1    | 16  | 583-1070    | Stabilizer Rail (Large)                      |
|                                   | 2    | 10  | 583-1071    | Stabilizer Rail (Small)                      |
|                                   | 3    | 14  | 580-2408    | Vertical End Cap                             |
|                                   | 4    | 14  | 580-2407    | Bottom connector                             |
|                                   | 5    | 8   | 580-2409    | Side vertical end cap                        |
|                                   | 7    | 46  | 545-1001    | Plastic coping                               |
|                                   | 8    | 16  | 589-1136P   | Bottom rail - stamped L 18                   |
|                                   | 10   | 6   | 589-1052P   | Bottom rail - side - stamped S               |
|                                   | 11   | —   | —           | —  |
|                                   | 12   | 196 | 330-1127    | Sheet metal screw, #10 x 1/2"                |
|                                   | 15   | 14  | 330-1075    | Pan head screw #14 x 1/2"                    |
|                                   | 17   | 14  | 580-2397    | Vertical tab                                 |
|                                   | 20   | 8   | 510-1008    | Slotted pan head machine screw #10-24 - 1/2" |
|                                   | 21   | 8   | 321-1025    | Square nut #10-24                            |
|                                   | 23   | 8   | 580-2159    | Outer connector bracket                      |
|                                   | —    | 1   | 573-5793    | Pool Parts List                              |
|                                   | —    | 1   | 573-4058    | Installation Instructions                    |
|                                   | —    | 1   | — — —       | Warranty Card                                |
|                                   | —    | 1   | 573-3169    | "Safety First" Booklet                       |

|                                   |    |    |          |          |
|-----------------------------------|----|----|----------|----------|
| <b>TOP RAIL PACK # 5-9860-725</b> |    |    |          |          |
|                                   | 25 | 16 | 587-1738 | Top Rail |

|                                   |    |   |          |                 |
|-----------------------------------|----|---|----------|-----------------|
| <b>TOP RAIL PACK # 5-9806-725</b> |    |   |          |                 |
|                                   | 24 | 6 | 587-1742 | Top Rail - side |

|                                   |    |    |          |          |
|-----------------------------------|----|----|----------|----------|
| <b>VERTICAL PACK # 5-9714-604</b> |    |    |          |          |
|                                   | 26 | 14 | 341-1351 | Vertical |

|  |    |    |          |               |
|--|----|----|----------|---------------|
| <b>TOP CONNECTOR PACK # 5-9999-410 &amp; 5-9999-412 (1 ea. Required)</b> |    |    |          |               |
|  | 27 | 22 | 340-2802 | Top Connector |

|  |    |    |          |                                     |
|--|----|----|----------|-------------------------------------|
| <b>SKIRT PACK # 5-9110-834 &amp; 5-9112-834 (1 ea. Required)</b> |    |    |          |                                     |
|  | 28 | 22 | 340-2801 | Skirt                               |
|  | 29 | 22 | 510-1001 | #10 x 1-1/2" Slotted Pan head screw |

|                        |    |    |            |                            |
|------------------------|----|----|------------|----------------------------|
| <b>SIDEWALL CARTON</b> |    |    |            |                            |
|                        | 30 | 1  | 5-XXXX-048 | Sidewall                   |
|                        | 31 | 1  | 535-1442   | Protective Strip           |
|                        | 32 | 26 | 321-1029   | 1/4-20 Hex Flange Locknut  |
|                        | 33 | 26 | 330-1280   | 1/4-20 x 1/2" Grade 5 Bolt |
|                        | —  | 1  | 560-1055   | Warning Sign               |
|                        | —  | 1  | 573-3169   | "Safety First" Booklet     |
|                        | —  | 1  | 573-3498   | Safety DVD                 |

**SUPPORT BASE PACK # 0-8888-204 (2 Required)**

|    |    |          |                                       |
|----|----|----------|---------------------------------------|
| 34 | 8  | 580-1779 | Skid support                          |
| 35 | 8  | 580-2071 | Ground support - top                  |
| 36 | 8  | 580-2072 | Ground support - bottom               |
| 37 | 8  | 580-1869 | Pressure pad                          |
| 38 | 8  | 580-1870 | Pressure pad                          |
| 39 | 8  | 580-1792 | Btm rail locator & cover              |
| 40 | 48 | 510-1035 | #12x3/4" hex washer head screw        |
| 41 | 32 | 330-1220 | 3/8"-16 x 3-1/2" hex head bolt        |
| 42 | 32 | 321-1069 | 3/8-16 hex nut                        |
| 43 | 32 | 510-1018 | 1/4-20 x 1/2" hex head bolt - grade 5 |
| 44 | 32 | 511-1000 | 1/4-20 hex nut                        |
| 45 | 48 | 330-1127 | Sheet metal screw, #10 x 1/2"         |

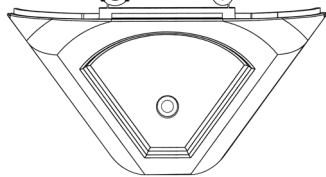
**SIDE SUPPORT PACK # 0-8852-400 (2 Required)**

|    |   |          |              |
|----|---|----------|--------------|
| 46 | 8 | 580-2074 | Side support |
|----|---|----------|--------------|

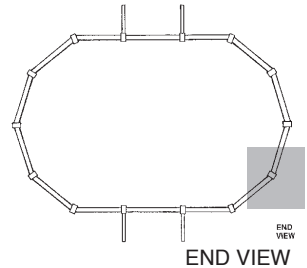
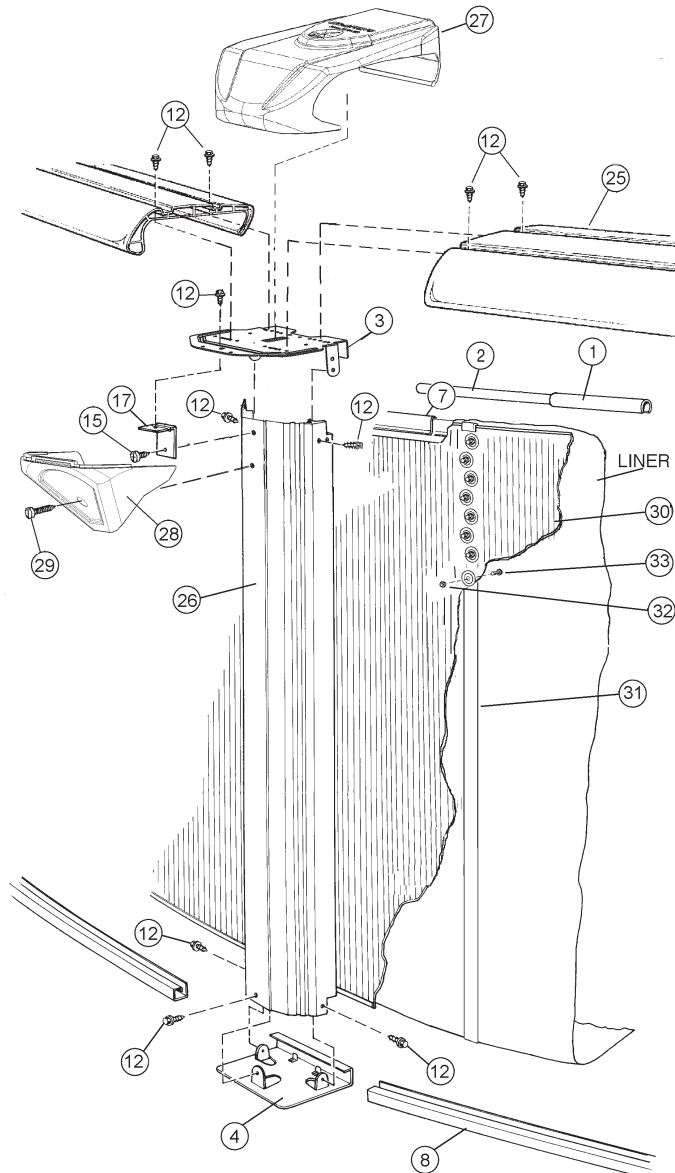
**EXPLODED PARTS VIEW**

REMOVE PRIOR TO INSTALLATION  
ONLY USE ON SIDE SUPPORTS FOR  
OVAL POOLS

REMOVE PRIOR TO  
INSTALLATION.  
USE PLUG TO COVER  
SCREW HOLE AFTER  
INSTALLATION.



FRONT VIEW - SKIRT

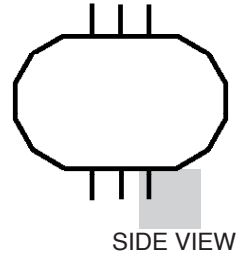


END VIEW

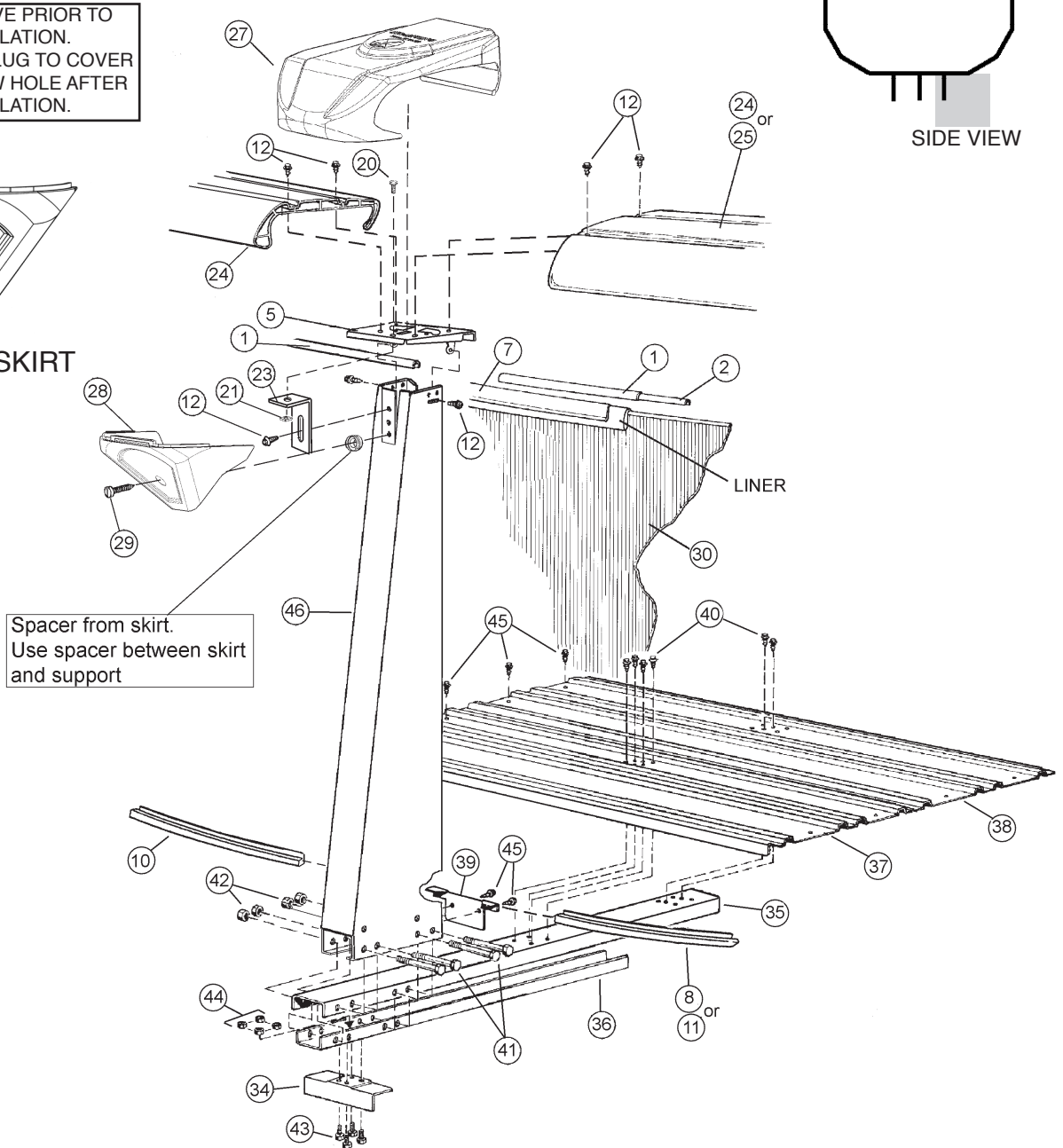
# EXPLODED PARTS VIEW

REMOVE PRIOR TO INSTALLATION  
ONLY USE ON SIDE SUPPORTS FOR  
OVAL POOLS

REMOVE PRIOR TO  
INSTALLATION.  
USE PLUG TO COVER  
SCREW HOLE AFTER  
INSTALLATION.



FRONT VIEW - SKIRT



**Important!** Above-ground pools are designed for swimming and wading only. Do not Dive or Jump! Misuse of your pool may result in crippling injury and/or other dangers to life and health. Do not use slides, diving boards, or any other platform or object which can be used for improper pool entry. Use only an above-ground swimming pool ladder or entry system to enter or exit your pool. Never attempt to swim or reach behind ladders or any other pool entry system. It is the pool owner's responsibility to secure the pool against unauthorized, unsupervised or unintentional entry. It is also the pool owner's responsibility to warn all pool users of the hazards of diving into shallow water: paralyzing injury may result. Always obey all safety rules. Remember, pool safety is everybody's responsibility.

Safety decals and caution information provided with your pool have been endorsed by the U.S. Consumer Product Safety Commission. It is mandatory that the pool owner and installer follow the installation and use directions for all provided safety signs and decals. Juveniles must be supervised at all times by a responsible adult as directed by the USCPSC.

Change of Design: The manufacturer (Hill) expressly reserves the right to change or modify the design and construction of any product in due course of their manufacturing procedures, without incurring any obligation to furnish or install such changes or modifications on products previously or subsequently sold.